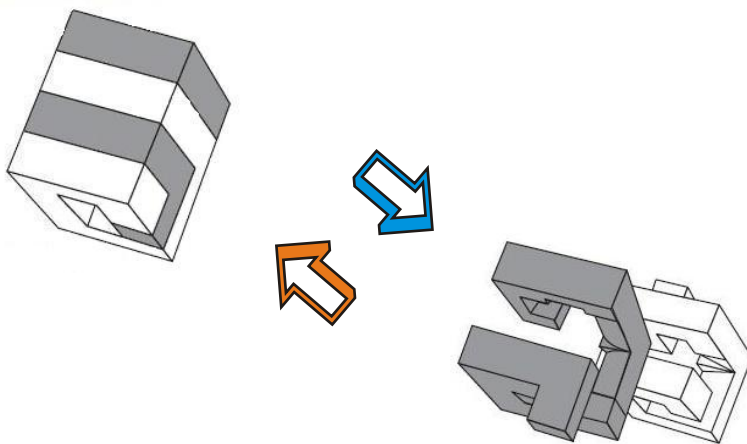




TM



Japan 2010  
All design and copyrights reserved

Exclusive European distribution  
by Eureka bvba - 2800 Mechelen,  
Belgium

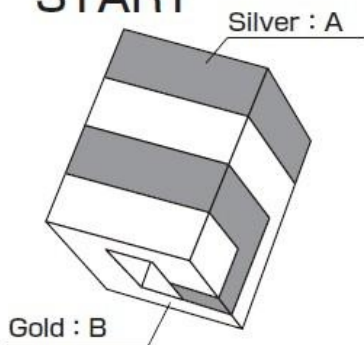


Design: Edi Nagata (JP)

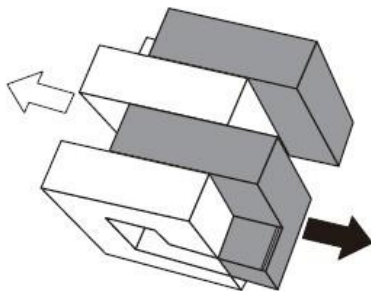
■ Silver : A    □ Gold : B

\*Slide only the "A" and keep the "B" in this solution

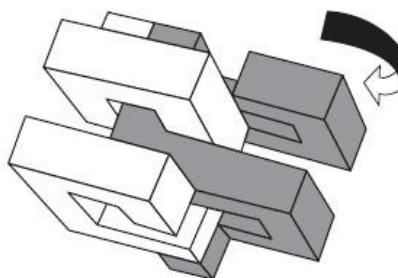
**START**



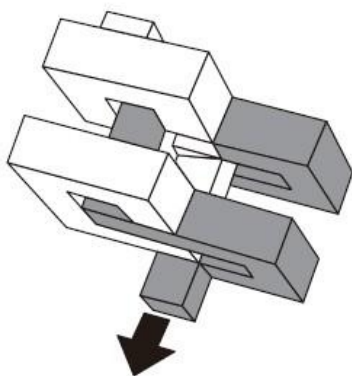
**1** Slide the "A" and "B" as shown in the diagram below



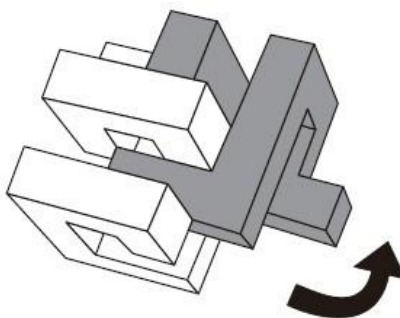
**2** Rotate "A" 90° to the right



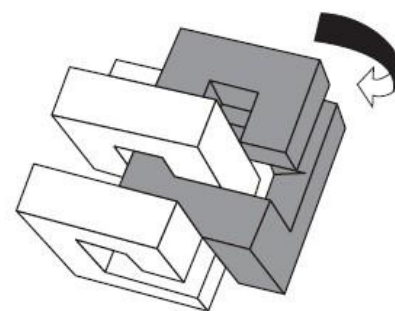
**3** Slide "A" to downwards



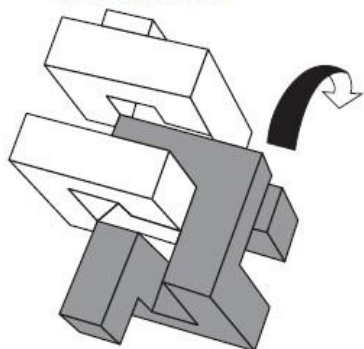
**4** Rotate "A" 90° to upwards



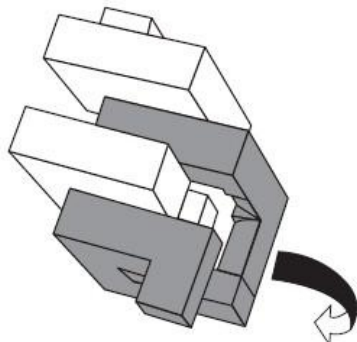
**5** Rotate "A" 90° to right



**6** Rotate "A" 90° to downwards



**7** Rotate "A" 90° to right



**8** Slide "A" to upwards to separate the pieces

